



5" and 7"  
"S" Series Layout

5" and 7" "S" Series include all required components for a 1-camera installation. Other cameras & cables sold separately.

**Wire Connection Key:**

Red wire to Ignition hot (+) 10-24v. DC

Black wire to GND (-)

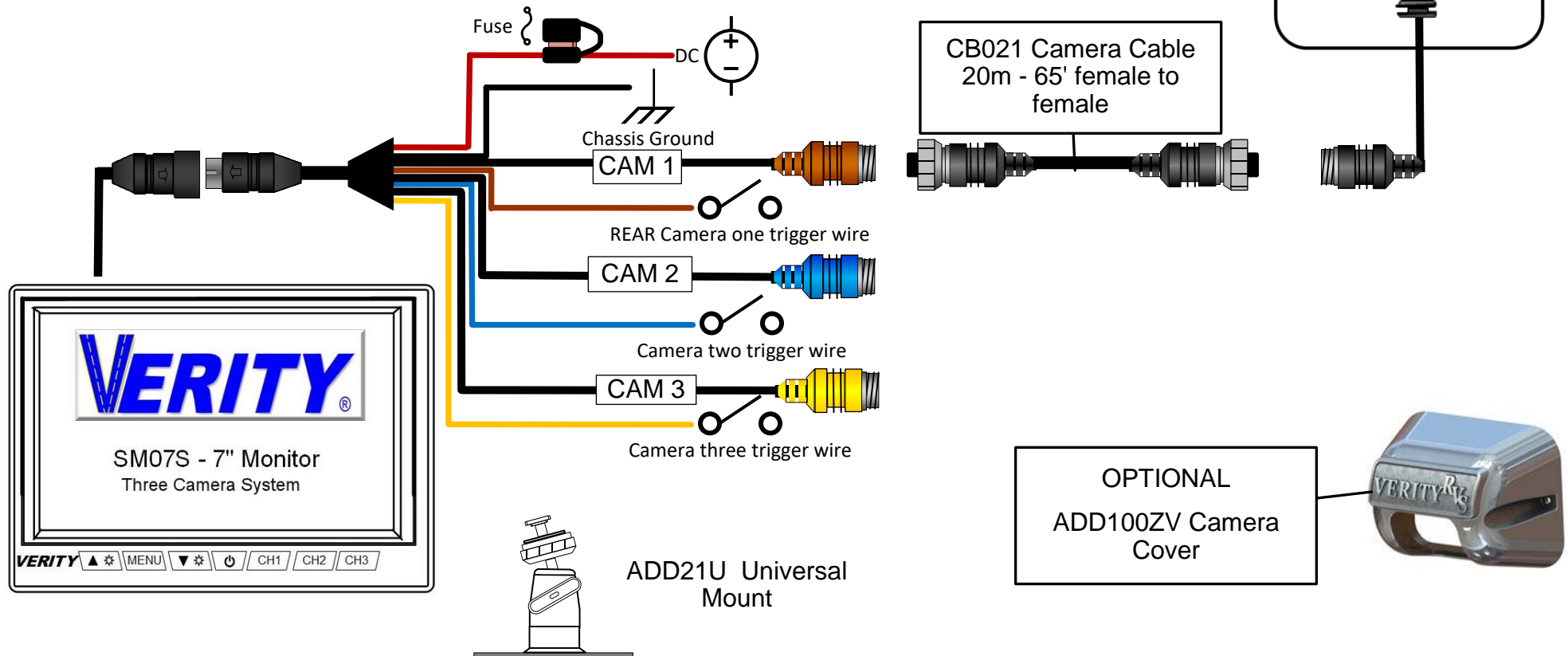
CAM 1 - Rear camera (Primary) Brown 4-pin connector- trigger wire

CAM 2 - (Suggested Right-side) Blue 4-pin connector - trigger wire

Preset with 3 second delay for turn signals

CAM 3 - (Suggested Left-side) Yellow trigger wire for to 2nd turn signal

Preset with 3 second delay for turn signals



574-807-6002  
www.veritysafe.com  
All rights reserved.

**NOTICE**  
Diagram is for reference purpose only.  
Subject to change without notice. Not to Scale.

7/2023

**Systems SM05S and SM07S  
Supports up to 3 cameras**