



C111C* Side Camera

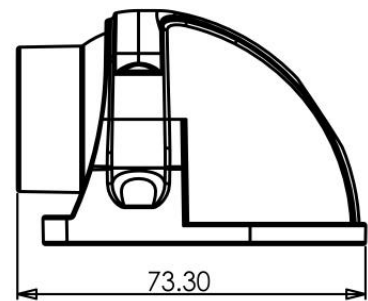
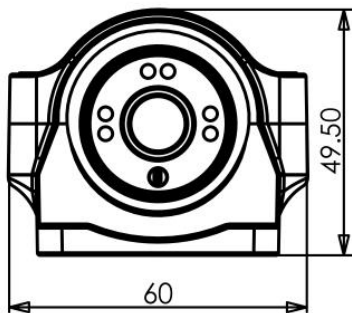
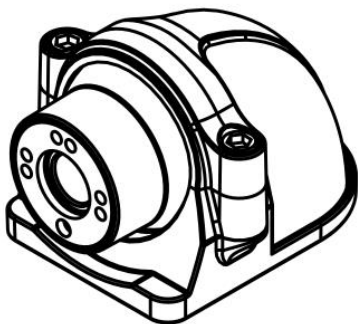
C111CM Rear-Facing (mirrored)

C111CU Forward-Facing (unmirrored)



CAMERA SPECIFICATIONS

Aluminum mini side CCD camera
Image Type: 1/3 inch Sharp® color CCD
(no cheap off brands used)
Horizontal resolution: 700 TV Lines
Effective pixels: 976 X 494
System: NTSC
Minimum illumination: 0 Lux (built-in 6 IR LEDs night vision)
Viewing angle: 130°
Waterproof: IP69K
Shockproof: 10G
Operating temperature: -20~70°C
Power supply: DC12V (powered by monitor)
Dimensions: 73.5(W) x 60(H) x 49.5(D) mm



574-807-6002 www.verityrvs.com Serving OEMs & Fleets

56600 Twin Branch Dr., Mishawaka, IN 46545

A division of Component Solution Services, LLC.

Woman-Owned

Est. 2002

Subject to change without notice